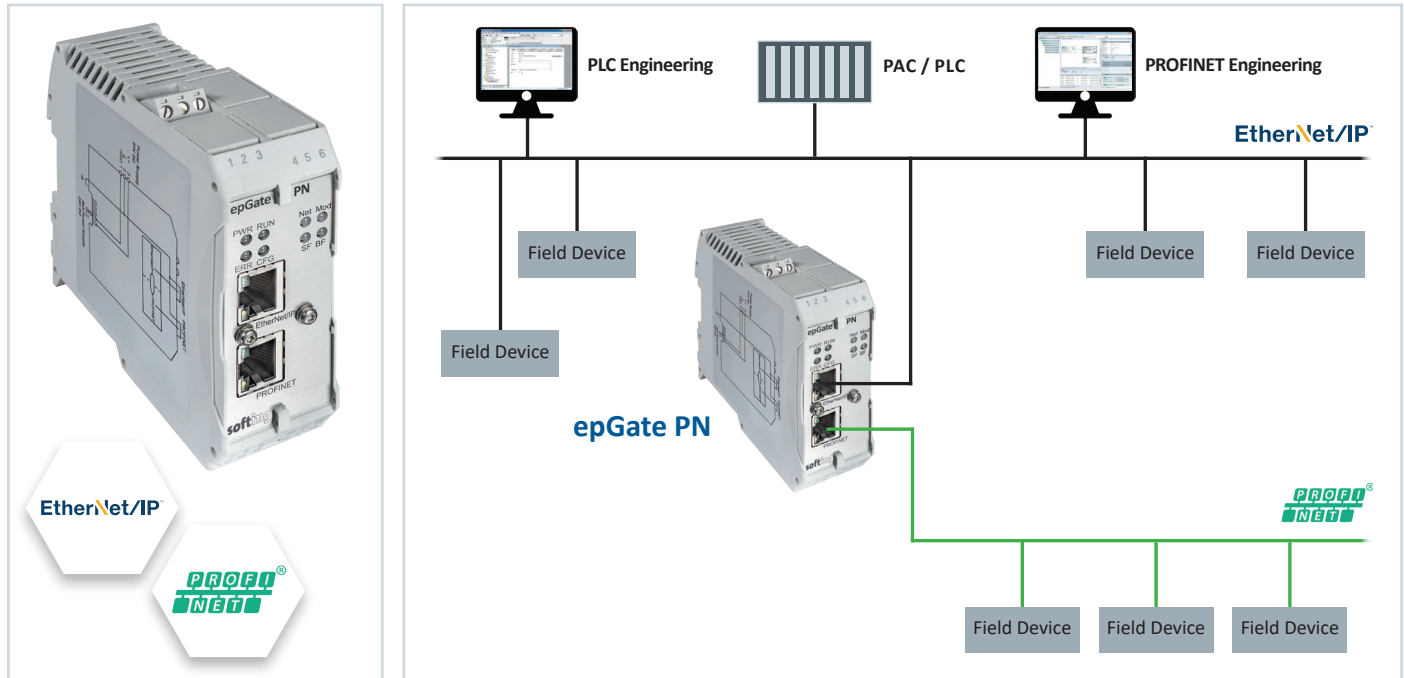


epGate PN

EtherNet/IP to PROFINET Gateway with PROFINET Controller Functionality

- Direct exchange of process data between EtherNet/IP and PROFINET networks
- Easy data access to Rockwell Engineering Software
- Time Saving Configuration and Verification as well as Monitoring and Interaction



Reliable Operation Across Networks Boundaries

- Connection to the EtherNet/IP network via the so-called adapter (slave); (upper RJ45 socket)
- PROFINET controller (Master) functionality (lower RJ45 socket)
- Direct access from EtherNet/IP scanner in the PLC to PROFINET field devices
- Access to machines with internal PROFINET network by deploying I-Device capabilities (Support of Siemens PLCs)
- Transparent exchange of I/O data
- EtherNet/IP side is informed about PROFINET faults and diagnostics
- EtherNet/IP PLC can activate PROFINET outputs explicitly by a quality value
- PROFINET outputs switch to safe state if connection to the PLC is lost

Simple Integration Through Add-On Instructions

- Data access of PLC program to PROFINET devices without requiring detailed PROFINET knowledge
- Mapping between the two protocols generated by provided tools
- Use of Add-On Instructions (AOI) containing detailed PROFINET data type definitions
- Transparent communication overcoming protocol differences

Including configuration tool and integrated web server

- PC-based configuration software for online access to PROFINET Devices with ready to use symbolic mapping information for the EtherNet/IP PLC's engineering software
- Built-In web server for monitoring of mapping as well as of exchanged data

Technical Data

Hardware	Processor	Altera Cyclone V SoC with Dual-core ARM Cortex-A9
	Status LEDs (Gateway)	PWR (power supply), RUN (operation), ERR (error), CFG (configuration)
	Status LEDs (EtherNet/IP)	Net (network), Mod (module)
	Status LEDs (PROFINET)	SF (system fault), BF (bus fault)
Connectors	Ethernet	2 x IEEE 802.3 100BASE-TX/10BASE-T (1 Ethernet port per protocol)
Physical Properties	Dimensions (H x W x D)	100 mm x 35 mm x 105 mm
	Weight	Approx. 0.25 kg
	Power Supply	18 VDC ... 32 VDC; SELV/PELV power supply mandatory. Typically 200 mA, maximum 1 A at switch-on
	Operating Temperature, Horizontal DIN Rail	-40 °C ... 55 °C (0 mm minimum distance)
	Operating Temperature, Vertical DIN Rail	-40 °C ... 65 °C (17.5 mm minimum distance)
	Operating Temperature, Vertical DIN Rail	-40 °C ... 40 °C (0 mm minimum distance)
	Operating Temperature, Vertical DIN Rail	-40 °C ... 50 °C (17.5 mm minimum distance)
	Storage Temperature	-40 °C ... 85 °C
	Relative Humidity	10 % ... 90 %, non condensing
	Cooling	Convection, no fan
	Mounting	DIN Rail (35 mm)
Housing Type	Phoenix Contact ME MAX 35 mm	
Protection Class	IP20	
Software	Protocols	EtherNet/IP Adapter: up to 2 Input Assemblies and 2 Output Assemblies with up to 255 Bytes data each, min. RPI: 2 ms PROFINET Controller support for up to 16 (standard) or 32 (optional) PROFINET devices, down to 250µs cycle time
	Additional Functionality	Mapping application, web server
	Verified with	Rockwell Automation PLC Programming Software: V19, V24, V30
Conformity	EMC directive 2014/30/EU	Applied harmonised standards: EN 55011 Industrial, scientific and medical (ISM) devices - radio disturbance - limits and methods of measurement EN 55032 Electromagnetic compatibility of multimedia equipment (MME) and interference emission EN 61000-6-4 Electromagnetic compatibility (EMC); Part 6-4: generic standard - emission for industrial environments EN 61000-6-2 Electromagnetic compatibility (EMC); Part 6-2: generic standard - immunity for industrial environments
	ROHS directive 2011/165/EU	A Declaration of Conformity in compliance with the above standards has been made and can be requested from Softing Industrial Automation GmbH.
	FCC	This equipment has been tested and found to comply with the limits for a Class A digital device, under part 15 of the FCC Rules.
	VCCI	This Class A product conforms to the regulations of Voluntary Control Council for Interference (VCCI) by Information Technology Equipment.

Scope of Delivery

Hardware	epGate PN Gateway
Software	EDS file, tools for discovery and configuration on CD-ROM
Documentation	Printed Quick Startup Guide, User Guide on CD-ROM

Order Numbers

GCA-CA-014111	epGate PN, EtherNet/IP to PROFINET Gateway
LRA-CA-019390	epGate PN, epGate PN extension for 32 PROFINET devices

Your local Softing contact:

<http://industrial.softing.com>

optimize!
softing